

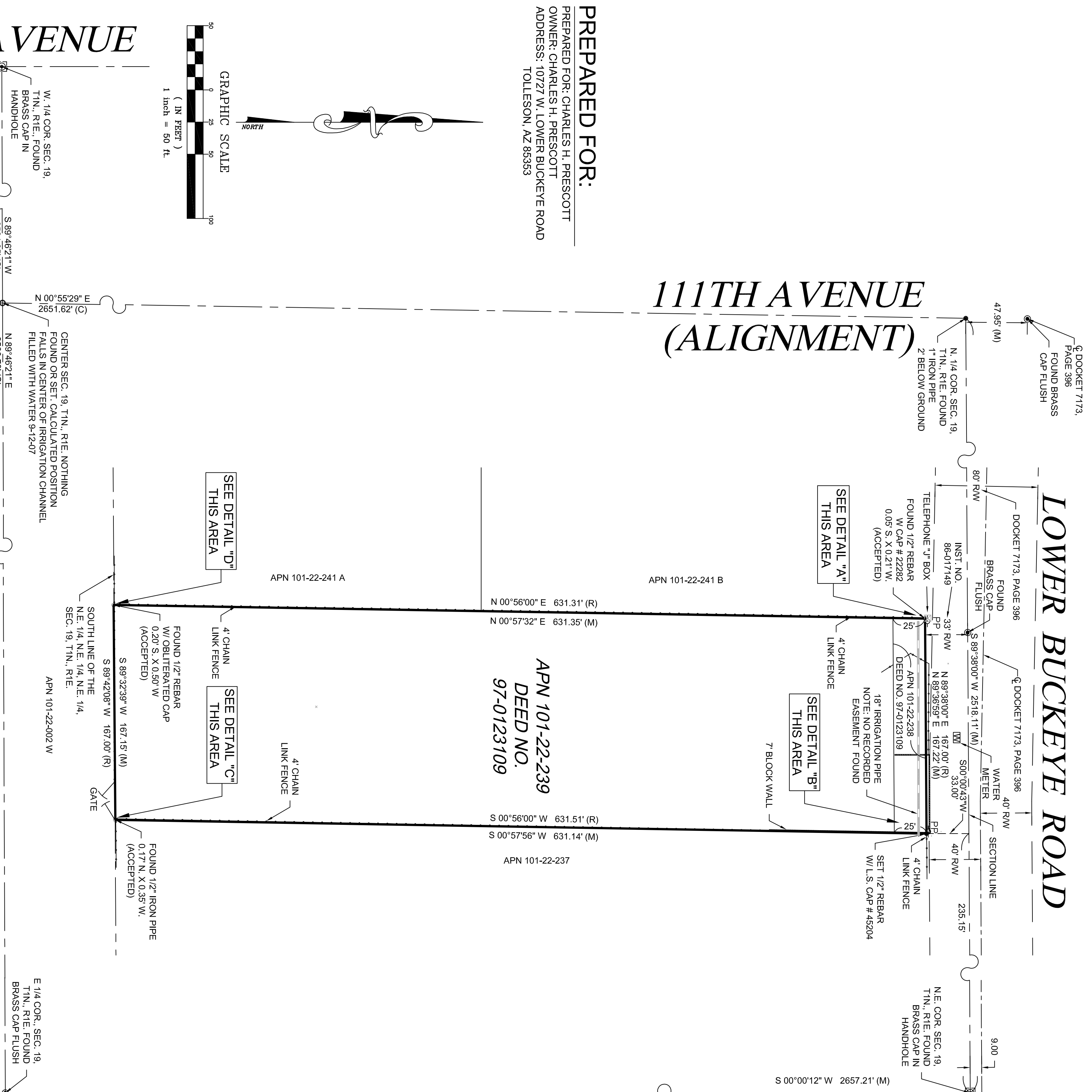
RESULTS OF SURVEY

A PORTION OF THE NORTHEAST QUARTER OF SECTION 19, TOWNSHIP 1 NORTH, RANGE 1 EAST
OF THE GILA AND SALT RIVER MERIDIAN, MARICOPA COUNTY, ARIZONA.

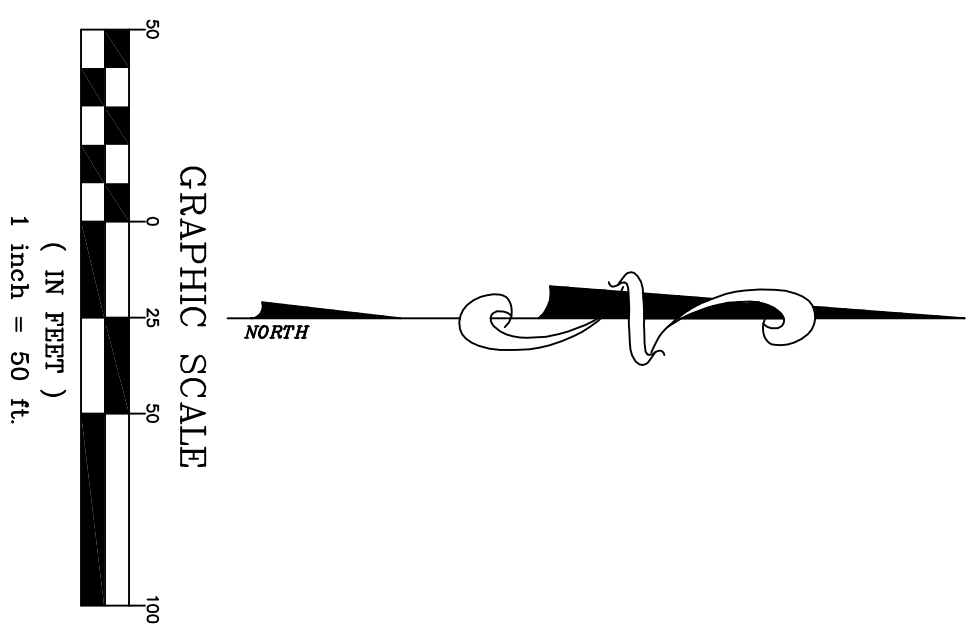
LOWER BUCKEYE ROAD

111TH AVENUE (ALIGNMENT)

107TH AVENUE



PREPARED FOR:
CHARLES H. PRESCOTT
OWNER: CHARLES H. PRESCOTT
ADDRESS: 10727 W. LOWER BUCKEYE ROAD
TOLLESON, AZ 85353



115TH AVENUE

BROADWAY ROAD

STATEMENT
I, JOHN "DANE" BUMPUS, A PROFESSIONAL LAND SURVEYOR, REGISTERED IN THE STATE OF ARIZONA, STATE THAT THIS SURVEY & PLAT WAS COMPLETED UNDER MY DIRECT SUPERVISION AND THAT ALL MONUMENTS FOUND OR SET ARE CORRECTLY SHOWN.

PRELIMINARY

JOHN "DANE" BUMPUS
REGISTERED LAND SURVEYOR
REGISTRATION NO. 45204, AZ.

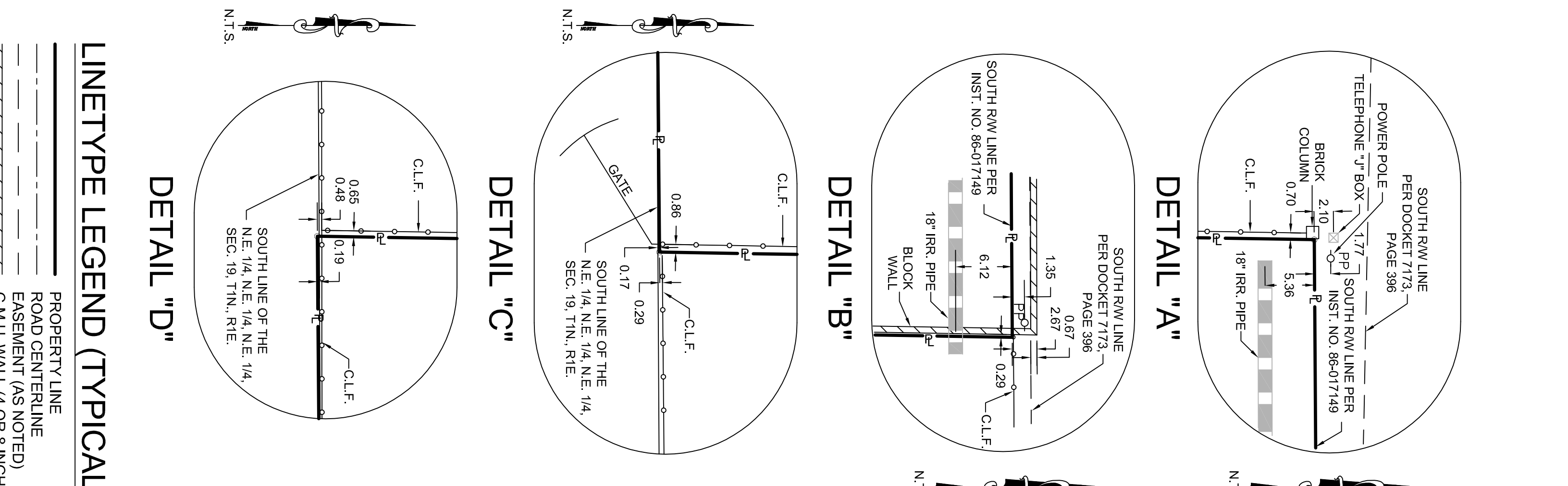
OF

A PORTION OF THE NORTHEAST QUARTER OF SECTION 19, TOWNSHIP 1 NORTH, RANGE 1 EAST
OF THE GILA AND SALT RIVER MERIDIAN, MARICOPA COUNTY, ARIZONA.

LOWER BUCKEYE ROAD

111TH AVENUE (ALIGNMENT)

107TH AVENUE



ABBREVIATIONS LEGEND (TYPICAL)

SEC	SECTION
T # R #	TOWNSHIP # RANGE #
G. & S.R.M.	GILA AND SALT RIVER MERIDIAN
REC NO.	RECORDERS NUMBER
DKT # PG #	DOCKET # PAGE #
MCR	MARICOPA COUNTY RECORDER
GLO	GENERAL LAND OFFICE
BLM	BUREAU OF LAND MANAGEMENT
LS	LAND SURVEYOR
RLS	REGISTERED LAND SURVEYOR
(R)	RECORD DATA
(M)	MEASURED DATA
(C)	CALCULATED DATA
APN	ASSESSORS PARCEL NUMBER
PUE	PUBLIC UTILITY EASEMENT
FD	FOUND
#	MORE OR LESS
SCHEDULE	"B" EXCEPTION ITEM NUMBER PER TITLE REPORT
CO.P.	CITY OF PHOENIX
ADOT	ARIZONA DEPARTMENT OF TRANSPORTATION
MCHD	MARICOPA COUNTY HIGHWAY DEPARTMENT
MCDOT	MARICOPA COUNTY DEPARTMENT OF TRANSPORTATION
ROW	RIGHT-OF-WAY
SRP	SALT RIVER PROJECT
C.L.F.	CHAIN LINK FENCE

SURVEYORS NOTES

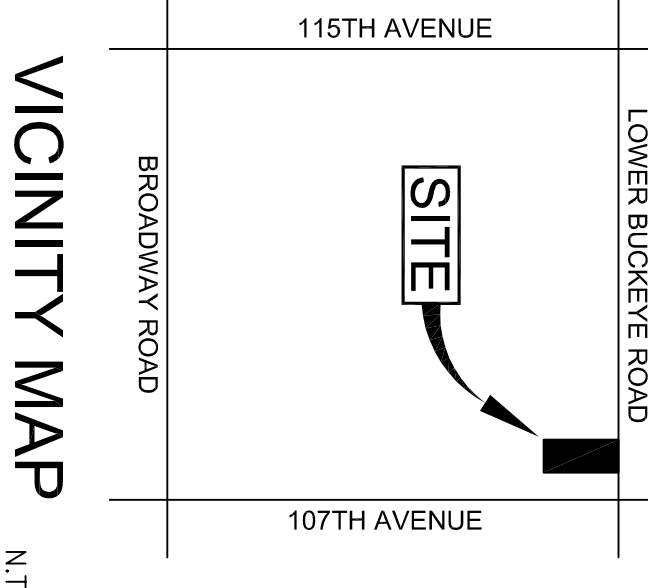
- MONUMENTS FOUND DURING THIS FIELD SURVEY WERE ACCEPTED UNLESS OTHERWISE NOTED HEREIN.
- THIS SURVEY WAS CONDUCTED WITH THE BENEFIT OF A TITLE REPORT. THIS SURVEY MAKES NO WARRANTY AS TO THE EXISTENCE OF ANY ADDITIONAL EASEMENTS OF RECORD AND/OR RESTRICTIONS TO AFFECTED PARCELS.
- NO ATTEMPT HAS BEEN MADE AS A PART OF THIS BOUNDARY SURVEY TO OBTAIN OR SHOW DATA CONCERNING ANY UTILITY OR PUBLIC SERVICE FACILITY.
- CURRENT MINERAL CLAIMS ON LANDS SHOWN IN THIS SURVEY ARE NOT KNOWN TO THIS SURVEYOR.
- IT IS RECOMMENDED THAT THE CLIENT RETAIN LEGAL CONSULTATION TO THOROUGHLY EXAMINE TITLE FOR ANY CLAIMS, DEFECTS OR LIABILITY UNDISCLOSED BY THIS SURVEY.
- THIS DOCUMENT MUST BE COMPARED TO THE ORIGINAL HARD COPY ISSUE AT THE SURVEY DATE WITH ITS ORIGINAL SEAL TO ENSURE THE ACCURACY OF THE INFORMATION AND TO FURTHER ENSURE THAT NO CHANGES, ALTERATIONS OR MODIFICATIONS HAVE BEEN MADE.
- THIS SURVEY WAS PERFORMED USING GPS (GLOBAL POSITIONING SYSTEMS) TO OPTIMIZE THE RELATIVE POSITIONING OF FOUND CORNERS. EXTREME CARE HAS BEEN TAKEN TO PRODUCE SURFACE MEASUREMENTS OF THE MONUMENTS FOUND.
- ALL BEARINGS AND DISTANCES SHOWN ARE MEASURED (M) FROM MONUMENT TO MONUMENT UNLESS OTHERWISE NOTED.
- THIS SURVEYOR WAS NOT CONTRACTED TO PERFORM AN ALTA/ACSM LAND TITLE SURVEY. THIS SURVEYOR WAS NOT CONTRACTED TO PERFORM A TOPOGRAPHIC SURVEY.
- THIS SURVEYOR SUGGESTS THAT AN ABSTRACT TITLE SEARCH BE PERFORMED.

LINETYPE LEGEND (TYPICAL)

---	PROPERTY LINE
---	ROAD CENTERLINE
---	EASEMENT (AS NOTED)
---	C.M.U. WALL (4 OR 8 INCH BLOCKS)
---	CHAIN LINK FENCE (OR AS NOTED)
---	WATERLINE
---	SEWERLINE
---	TELEPHONE
---	ELECTRIC
---	OVERHEAD ELECTRIC
---	STORM SEWER
---	COX CABLE
---	FIBER OPTIC
---	QUEST COMMUNICATION
---	IRRIGATION

SYMBOL LEGEND (TYPICAL)

- BRASS CAP FLUSH
- BRASS CAP IN HANDHOLE (OR AS NOTED)
- FOUND REBAR (OR AS NOTED)
- SET 1/2" REBAR W/ CAP LS # 34559 (OR AS NOTED)



RESULTS OF SURVEY

OF A PORTION OF THE NORTHEAST QUARTER OF SECTION 19,
TOWNSHIP 1 NORTH, RANGE 1 EAST
OF THE GILA AND SALT RIVER MERIDIAN, MARICOPA COUNTY, ARIZONA

MILLER & SONS SURVEYING

6843 N. 8TH AVENUE, SUITE 200,
PHOENIX, ARIZONA 85013
PHONE: (602) 285-1582
FAX: (602) 279-5833

REVISIONS:

REV. 1	
REV. 2	
REV. 3	

DESIGN BY:
DRAWN BY: DANE
SCALE: 1"=50'
DATE: 9/15/07

JOB NO.
07-166